

Converter Series

User Manual

Model : AN-ADA001

HDCVI/HDTV/AHD/CVBS to HDMI/VGA/Compoiste Video Selection
Converter



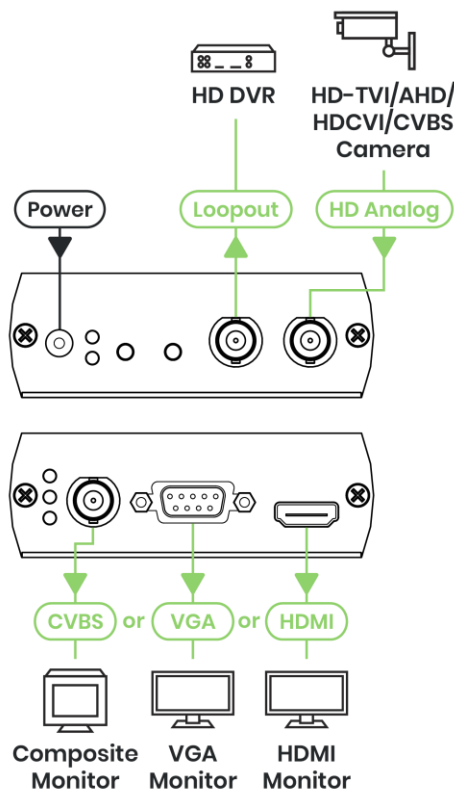
Introduction

AN-ADA001 is a CCTV converter that converts TVI/ CVI/ AHD video to 1080p HDMI/ VGA/ CVBS (output one signal at a time). Built-in a loop-out port to connect the second CCTV camera, a CVBS display, or a DVR. It's a perfect solution for an existing CCTV system to add an extra TV for monitoring.

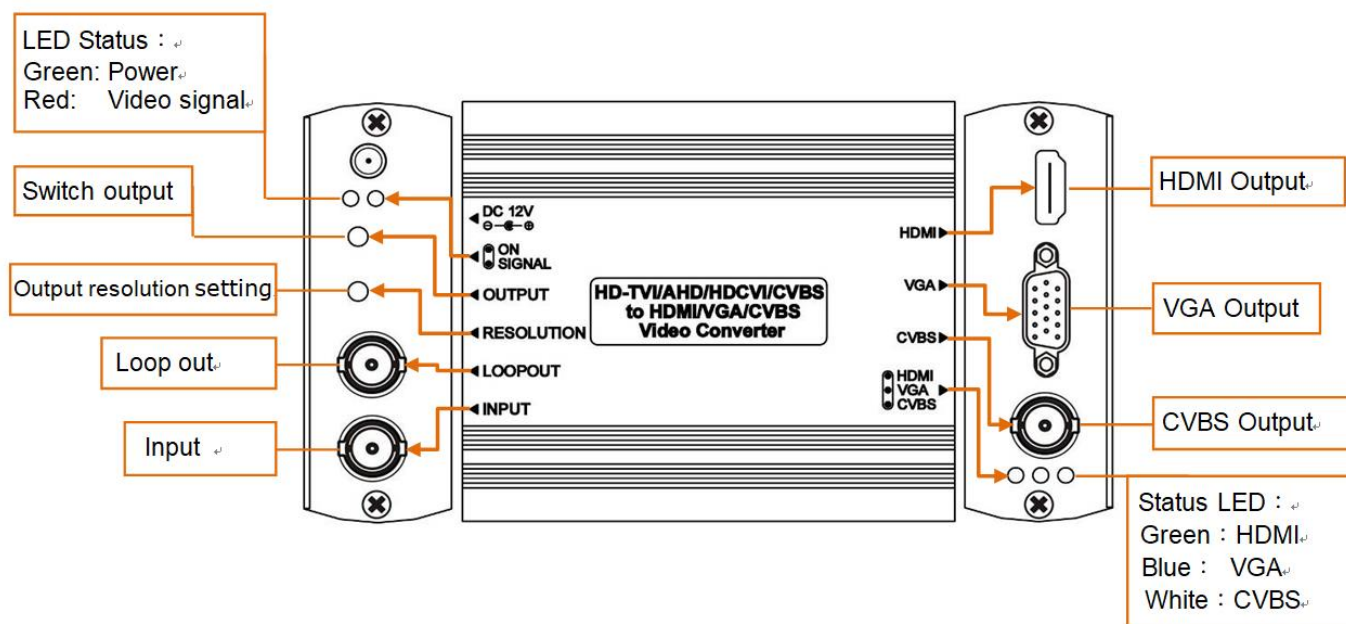
Features

- Converts HD-TVI/ AHD/ HDCVI/ CVBS to HDMI/ VGA/ CVBS.
- Resolution up to 5MP@25/30Hz for input, 1080p@60Hz for HDMI, VGA.
- Built-in loop out for a DVR or an extra CVBS monitor.
- Outputs one (HDMI/ VGA/ CVBS) signal at a time.

Installation View



LED Status & Button Function



Supported Output Resolutions

HDMI	VGA	CVBS
1080p@60Hz	1920x1080@60Hz	480i@60Hz (NTSC)
720p@60Hz	1280x720@60Hz	576i@50Hz (PAL)

Specification

ITEM NO.	AN-ADA001
Support	
Video Format	HD-TVI, AHD, HDCVI, HDMI, VGA, CVBS
Max. Input Video Resolution	5MP@25/30Hz
HDMI Resolution	1080p@60Hz, 720p@60Hz
VGA Resolution	1920 x 1080@60Hz, 1280 x 720@60Hz
CVBS Resolution	480i@60Hz (NTSC), 576i@60Hz (PAL)
Ports & Interfaces	
Video Input	1 x BNC (75Ω 1Vpp)
Video Output	1 x HDMI Type A, 1 x D-SUB 15, BNC (75Ω 1Vpp)
Video Loop-out	1 x BNC (75Ω 1Vpp)
Switch	2 x Pushbutton
Power	
Power Supply	12V 500mA
Power Consumption	250mA
Ambient Temperature	
Operation	0 to 55°C
Storage	-20 to 85°C
Humidity	Up to 95%
Physical Characteristics	
Dimensions	88 x 130 x 30mm
Weight	270g